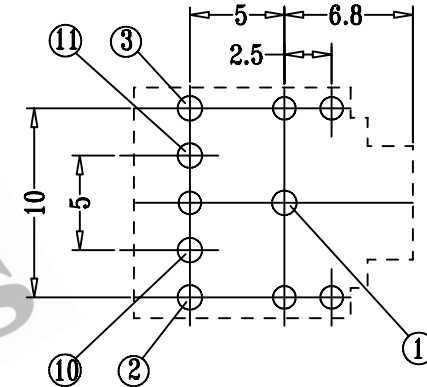
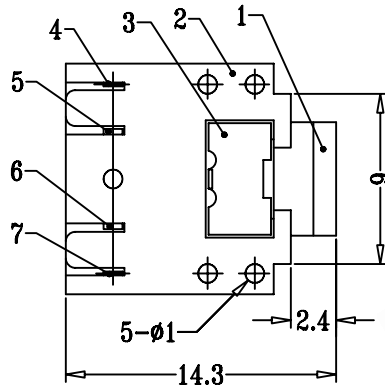
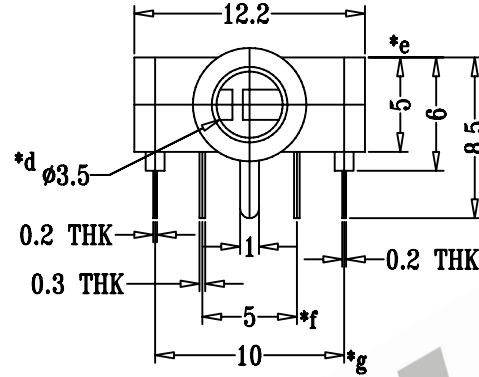
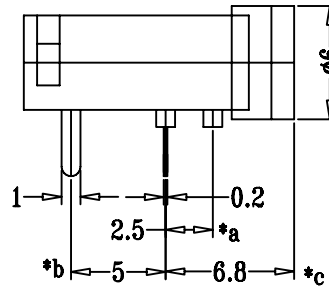
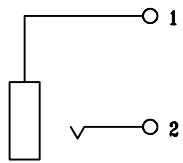


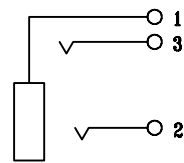
CAD FILE:



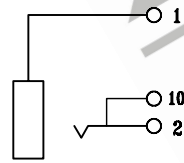
P.C.B LAYOUT



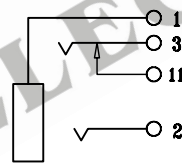
SCHEMATIC  
ST-212-01



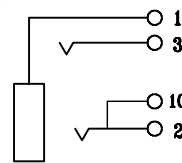
SCHEMATIC  
ST-212-02



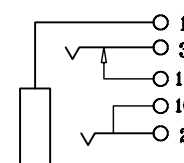
SCHEMATIC  
ST-212-03



SCHEMATIC  
ST-212-04



SCHEMATIC  
ST-212-05



SCHEMATIC  
ST-212-06

注:带"\*"表示关键尺寸(7个)

8					TOLERANCE UNLESS SPECIFIED	SHENZHEN XIEJIA ELECTRONICS CO.,LTD.				
7	SPRING TERMINAL	PBS STRIP	1	Ag PLATED OVER Ni PLATED	WITHIN: 1.5±0.1mm	ISSUE	DATE	DESCRIPTIONS OF REVISION		APPD.
6	TERMINAL B	BRASS STRIP	1	Ag PLATED OVER Ni PLATED	OVER : 1.5±0.2mm					
5	TERMINAL	BRASS STRIP	1	Ag PLATED OVER Ni PLATED	TITLE : PHONE JACK		UNIT : mm	DRWG NO.: XJ-DR-ST212-00		
4	SPRING TERMINAL C	STAINLESS STEEL	1	Ag PLATED OVER Ni PLATED	MODEL: ST-212-01~06		SCALE: 5:2	DWN.	ZHOUYU	2004-7-12
3	CONTACT	PBS STRIP	1	Ag PLATED OVER Ni PLATED	ALL MATERIALS MUST BE COMPLIANT TO ROHS			CHK'D	FANGYING	2004-7-12
2	CASE	POM	1	BLACK				APPD.	KANGXINAN	2004-7-12
1	SOCKET	BRASS	1	Ni PLATED						
NO.	PARTS	MATERIALS	Q'TY	FINISH						